

CURRICULUM VITAE

Athar Ali
Flat No:401, T-4, Tascan Height,
TDI, Kundli, Sonipat.
Email: athar3010@gmail.com
Phone no: +91 8510988864



OBJECTIVE

To have a position as a mechanical engineer, which will allow me to use my design, creative & analytical skills to assist in the design and engineering of mechanical products & components.

Total working experience: 6yr+

Present Company:

Meneta Automotive Component Pvt. Ltd. (Sonipat) India.

Dec-2019~Till Date

About Company: Meneta Automotive is group of **MAT HOLDING INC.** Automobile Sheet metal Brakes parts manufacturer (back plate, Naked brake shoe, Anti noise shim & Sensor Clip).

Designation: Engineer(EDD Dept.)

Product Name: Anti noise shim.

Reporting to: Sr Manager & HOD



JOB PROFILE:

- Press tool design
- Tool design 70% and product design 30%.
Designing Press tool and making 2D(**Auto Cadd**) and 3D (**Solid work**) data for manufacturing.
- Generation of Part models and creating assembly for the same.
- Trialing the tool after manufacturing and resolving the problems during trial.
- Generation of detailed Part and Assembly drawings
- Making B.O.M. and check the availability of material and standard parts in store
- Coordination with Product development team and maintenance team for Development.
- Coordination with customer and check the progress of part till approval
- Verified and Evaluated Customer Problems.

Past Company:

working experience company: 4.1yr

Indus Marmara Auto Components Pvt. Ltd Ghaziabad

Oct'2015 to Dec'2019

Worked as a Eng. & Design. This company is certified with ISO9001:2015. This company is Engaged in the manufacturing of Automotive products like **Back Plate for Brake Pads** (Joined as **Trainee: Eng. & Design**)

Design & development, reverse engineering & improvements in existing tool / process / product process like Back Plate manufacturing, initial development of parts & problem analysis at customer ends related to subparts. Design activities involves gathering Customer inputs, Concept creation, 3D modeling & 2D drawing creation on Pro-e Wildfire (Creo) & AutoCAD. Designed small fixtures / inspection gauges like drilling fixture Counter fixture so on.

Reporting to: Plant Manager

JOB PROFILE:

- A skilled Design Engineer with in the automotive product / component design, tool design & manufacturing.
- Part design (Back plate) for brake pads.
- 3 Years Exp. in Draw, Modelling and BOM a Customer drawing part & tool developed using **AutoCAD & Creo6.0**.
- Press Tool Development for Back Plate.
- Press Tool Development modelling, Assembly & Simulation in **Creo6.0**.
- Press Tool (analysis & problem solution if any problem occurs).
- Reverse Engineering for back plate for brake pads (**AutoCAD & Creo**).
- Planning (No of operation, Operation sequence, Raw Material planning for Tooling, Raw Material planning for Production (define sheet length, width & thickness define by the Customer) & Process planning & process mapping.
- Quality ISO9001:2015(Making a format for departments under ISO and check time to time & also why why analysis, Fish born diagram, Corrective Action plan, 8D any complain customer, PPAP Documentation, APQP Documentation & So On).
- 5S Implementation.
- Jig and fixture Design, Manufacture and assembly for Process.
- PFMEA (Process failure mode and effect analysis).
- Prepare Flowchart for Process.
- Measurement Analysis system.
- Control Plan for production.

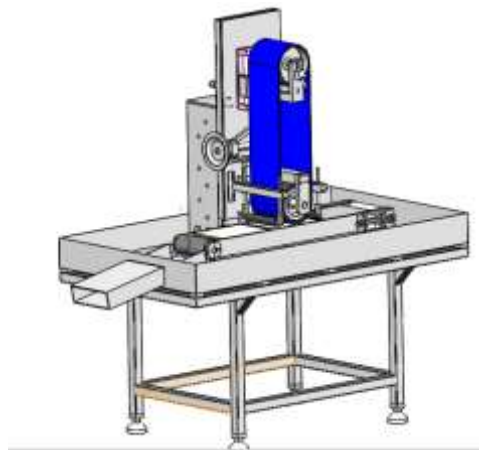
First simple
make from
press tool

Simple
Part



Extra project in Indus Marmara:
Deburring Machine

Responsibility: Design & Manufacture.



Key Skills:-

Proficient with a vast array of systems and mechanical equipment, including

- Press tools (Blank tool, coining tool(chamfer), Piercing tool, shaving tool,Bending tool, Flange tool, Compound tool).
- Product design
- Inspection gauges

- Poka-Yoke
- Kaizen
- GD & T symbol
- Autocad
- Solid Work
- Creo 6.0
- NX8.0

Personal Information:

Name : Athar Ali
Father's name : Late Mr. Hashmat Ali
Sex : Male
Date of birth : 30/10/1992

Education Qualification:

Degree/Certificate	Institution/Board	Year	CGPA/Percentage
Project management (Certification)	Google learning	2022	Pursing
Dip + B. tech (Mechanical)	Lovely Professional University	2015	6.40CGPA/7.19TGPA
HSC	All Saints' School/ CBSE	2009	61%

Additional Qualification:

- Proficient in software skills MS-office, **AutoCAD, Pro-e (Creo),Solid work** & Minitab.
- Hobbies: Listening music, reading books, making new friends, internet browsing and travelling.

I hereby, declare that the above information is true to the best of my knowledge.

(Athar Ali)